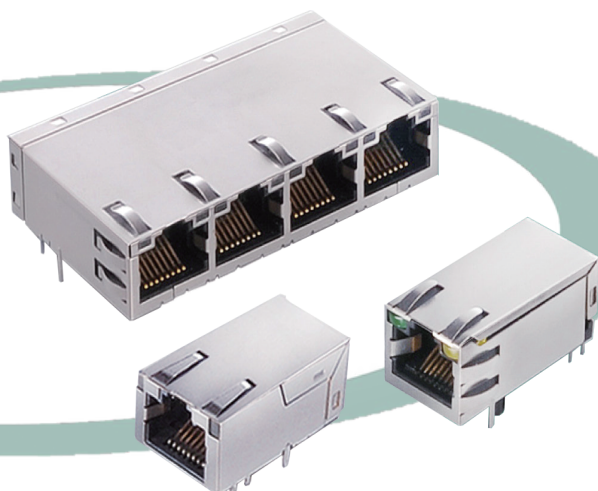




## PoE SERIES



### FEATURES AND BENEFITS

- Available 1\*1, 1\*2, 1\*4, 2\*1, 2\*2, ports
- Optional Built-in LED as Power/Activity indicators
- Optional PoE enabled and PoE +
- High performance for maximum EMI suppression
- Meets or exceeds IEEE 802.3i/u/af standard
- HI-POT and functionality are 100% electrically tested
- Minimum of 750 insertion cycles

### ELECTRICAL AND PERFORMANCE SUMMARY

- Internal magnetics options available.
- Meet or Exceed IEEE 802.3 and IEEE 802.3ab standard
- 350uH minimum OCL with 8 mA bia
- Minimum 1500Vrms isolation per 802.3 requirements.

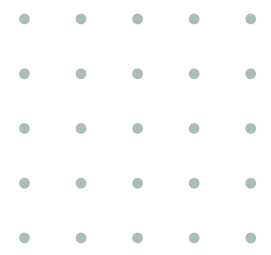
### APPLICATIONS

DESKTOP PC, SERVER, HUB, SWITCH, LCD TV, STB, AMPLIFIER, AV CENTER, POS, PRINTER, PROJECTOR, SECURITY CAMERA

### GENERAL SPECIFICATION

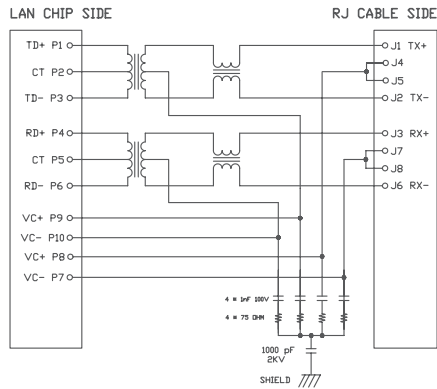
Product Type Features		Housing Related Features	
Tab Type	Other	Material	PBT/Nylon/LCP
PCB Mount Angle	Side Entry (Right Angle)	Housing Flammability Rating	UL 94V-0
PCB Mount Style	Through Hole	Color	Option
Number of Port	1 / 2 / 4	Contact Related Features	
Shielded	With / Without	Material	Phos-Bronze
Number of Position	8	Contact Area Plating	Hard Gold
Number of Contact	Option	Solder Area Plating	Tin/Gold Flash
LED	Yes/No	Magnetic Related Features	
Transformer	Yes	Transformer Speed	10 /100/1000
Shielding Related Features		Dimension (mm)	
Material	Copper Alloy/SUS	Length	Option
Plating	Nickel	Width	Option
EMI Finger	With / Without	Height	Option
Number of PCB Ground Tabs	Option		
Ground Pin Position (mm)	Option		



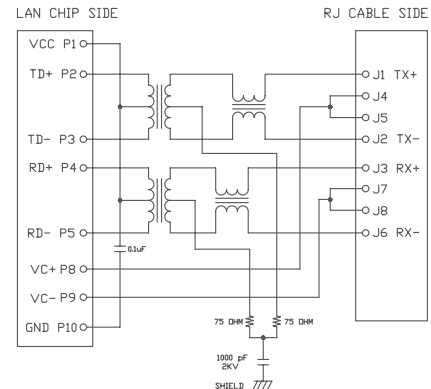


## 10/100 Mbps TYPICAL SCHEMATIC

### P31 Type



### PG1 Type

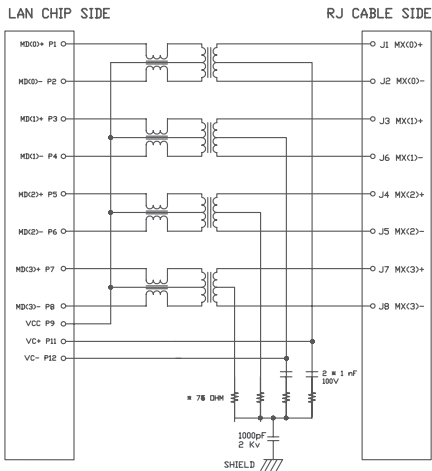


10/100 MHz Electrical Specification@25°C

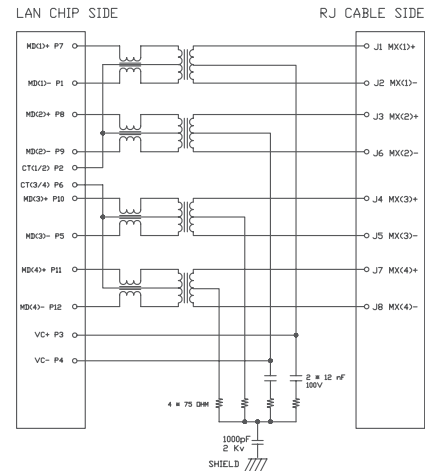
TR	LX	DCR	Hi Pot	Insertion Loss	Return Loss			Cros Talk	Common Mode Rejection
	100KHz, 100mV, 8mA, DC Bias	(Every RJ Pair)	Input to Output	0.3~100 MHz	1~30 MHz	30~60 MHz	60~80MHz	1~100 MHz	1~100MHz
1 : 1±3%	350 uH Min	1.2 ohm Max	1500VAC for 60s	-1.0dB Max	-20dB Min	-15dB Min	-10dB Min	-30dB Min	-30dB Min
1 : 1±3%	350 uH Min	1.2 ohm Max	1500VAC for 60s	-1.0dB Max	-20dB Min	-15dB Min	-10dB Min	-30dB Min	-30dB Min
1 : 1±3%	350 uH Min	1.2 ohm Max	1500VAC for 60s	-1.0dB Max	-20dB Min	-15dB Min	-10dB Min	-30dB Min	-30dB Min

## 10/100/1000 Mbps TYPICAL SCHEMATIC

### R09 Type



### R16 Type



1000 MHz Electrical Specification@25°C

TR	LX	DCR	Hi Pot	Return Loss		
	100KHz, 100mV, 8mA, DC Bias	(Every RJ Pair)	Input to Output	1~10 MHz	30MHz	60~100MHz
1 : 1±3%	350 uH Min1	1.2 ohm Max	500VAC for 60s	-20dB Min	-16dB Min	-12dB Min
Common Mode Rejection		Insertion Loss		Cross Talk		
300~100MHz		0.3~100MHz		1~10 MHz	30~60 MHz	60~100 MHz
-30dB Min		-0.8dB Max		-1.2dB Max	-40dB Min	-35dB Min
						-30dB Min

