

LAN Product Guide

■ Switches

- Both discrete magnetics and connector with integrated magnetics are available.
- Simplify customer board layouts by reducing the components required.
- Support a wide variety of applications- Network and Telecommunication.
- Power-over-Ethernet solutions in PoE and PoE+ configurations.

Connector with Integrated Magnetics

10/100	Gigabit
KRH-21C-4-D1D-170	KRH-21C-H-HD8-579
KRH-22F-5-D11-370	KRH-21K-R-H87-770
KRH-22J-0-D12-070	KRH-22K-5-H84-170
KRH-24N-A-DC3-470	KRH-26D-4-H8D-170



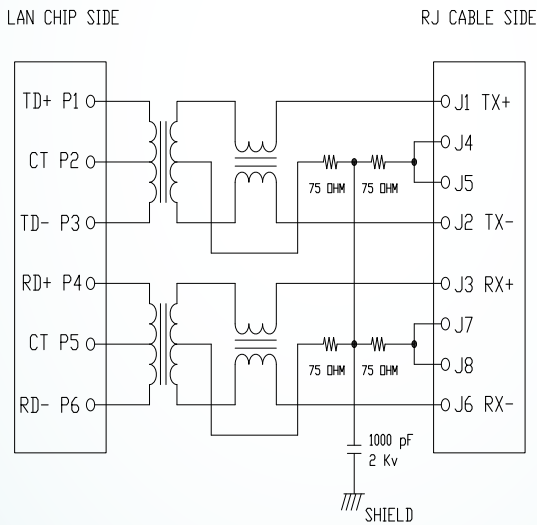
LAN Product Guide

Switches

- Both discrete magnetics and connector with integrated magnetics are available.
- Simplify customer board layouts by reducing the components required.
- Support a wide variety of applications- Network and Telecommunication.
- Power-over-Ethernet solutions in PoE and PoE+ configurations.

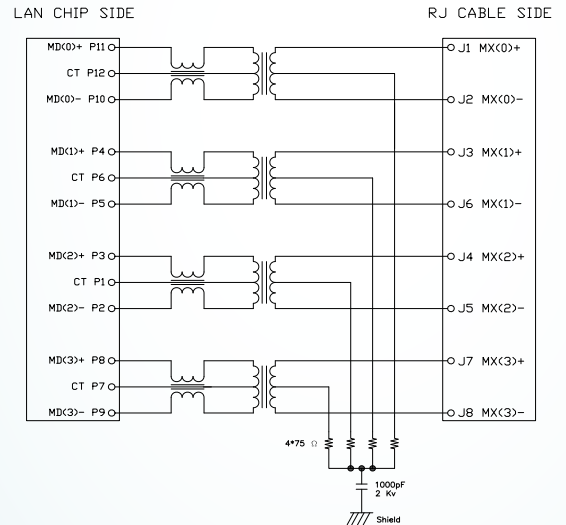
10/100 APPLICATION CIRCUIT

D11 10/100



GIGABIT APPLICATION CIRCUIT

H71 1G



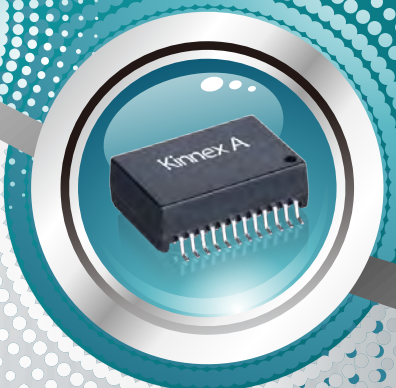
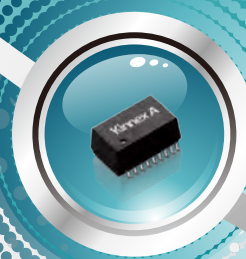
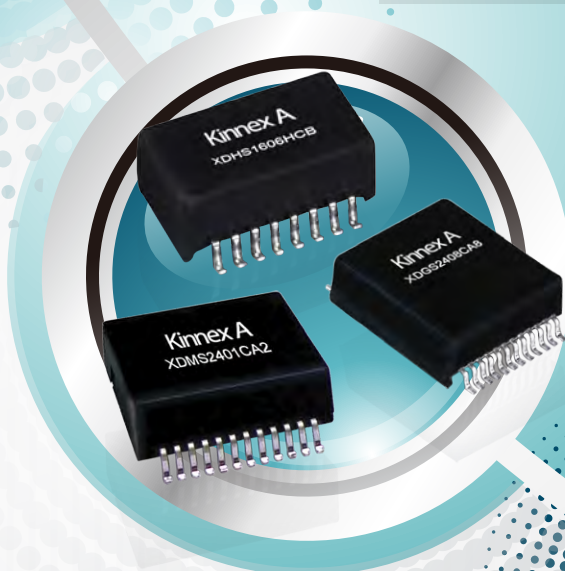
LAN Product Guide

■ Switches

- Both discrete magnetics and connector with integrated magnetics are available.
- Simplify customer board layouts by reducing the components required.
- Support a wide variety of applications- Network and Telecommunication.
- Power-over-Ethernet solutions in PoE and PoE+ configurations.

Discrete Magnetics

10/100	Gigabit
KTFZ-DHS1201CC1-JF1	KTFZ-DGS2401CC6
KTFZ-DHS1605CCF	KTFZ-DGS2409CC7-BR1
KTFZ-DHS2001DD1-BR1	KTFZ-DGD4805CB8-BR1
KTFZ-DHS1605HC9	KTFZ-DGQ7202DF3
KTFZ-DHQ4002HC4-DCA	KTFZ-DGF9001DF1



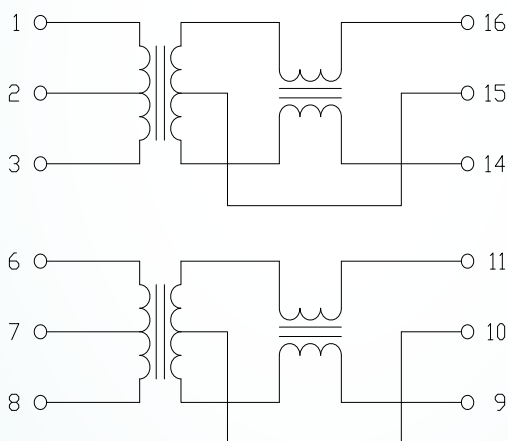
LAN Product Guide

■ Switches

- Both discrete magnetics and connector with integrated magnetics are available.
- Simplify customer board layouts by reducing the components required.
- Support a wide variety of applications- Network and Telecommunication.
- Power-over-Ethernet solutions in PoE and PoE+ configurations.

10/100 APPLICATION

10/100



GIGABIT APPLICATION

1G

