

LAN Product Guide

■ Servers

Both discrete magnetics and connector with integrated magnetics are available.

Simplify customer board layouts by reducing the components required.

Support a wide variety of applications- Network and Telecommunication.

Power-over-Ethernet solutions in PoE and PoE+ configurations.

Integrated magnetics solutions offered, cover a range of Ethernet speeds and technologies, including; 10/100, 1 Gigabit, and 10 Gigabit.

Connector with Integrated Magnetics

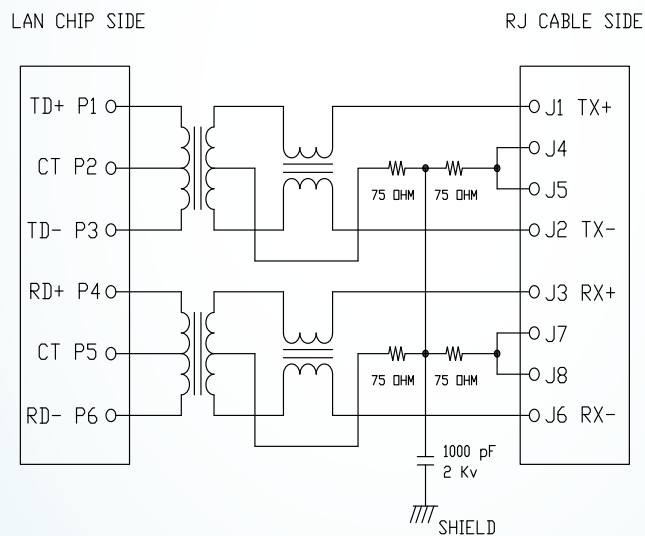
10/100	Gigabit	10GBASE-T
KRG-01P-1-D22-110	KRG-011-0-H71-079	KRG-011-0-S71-0P0
KRG-01Q-4-DZE-220	KRG-017-H-H71-CP0	KRG-012-0-SZA-0P0
KRG-02P-4-D12-1A0	KRG-01P-1-H33-110	KRG-02A-5-SS5-170
KRH-01E-1-D3C-171	KRG-02P-4-H6L-1A1	KRH-018-V-SZ4-670
KRH-01T-4-D41-180	KRG-04Q-4-H11-389	KRH-21A-0-SL2-080
KRH-21C-1-D18-170	KRH-01H-Y-H71-C71	KRH-24A-0-SZ5-080
-	KRH-22R-A-H6L-47V	-

LAN Product Guide

■ Servers

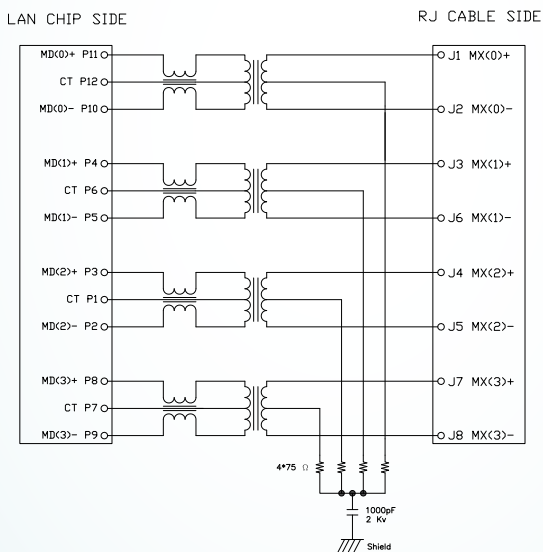
10/100 APPLICATION CIRCUIT

D11 10/100



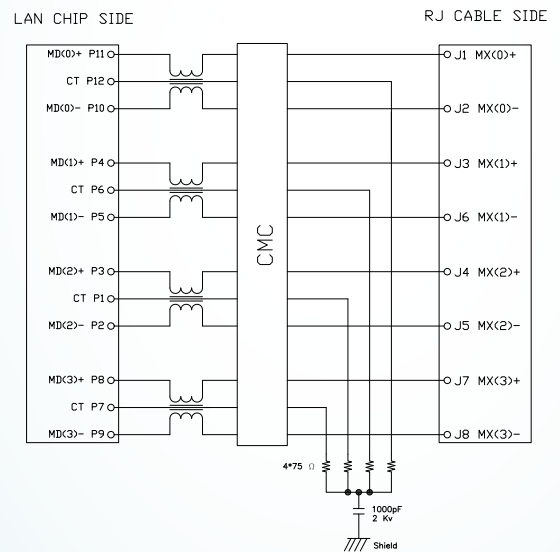
TYPICAL GIGABIT CIRCUIT

H71 1G



TYPICAL 10GBASE-T CIRCUIT

S71 10G



LAN Product Guide

■ Servers

Both discrete magnetics and connector with integrated magnetics are available.

Simplify customer board layouts by reducing the components required.

Support a wide variety of applications- Network and Telecommunication.

Power-over-Ethernet solutions in PoE and PoE+ configurations.

Integrated magnetics solutions offered, cover a range of Ethernet speeds and technologies, including; 10/100, 1 Gigabit, and 10 Gigabit.

Discrete Magnetics

10/100	Gigabit	10GBASE-T
KTFZ-DHS1201CC1-JF1	KTFZ-DGS2401CC6	KTFZ-DMS2401CA2
KTFZ-DHS1605CCF	KTFZ-DGS2409CC7-BR1	KTFZ-DMS2401CA2-RT9
KTFZ-DHS2001DD1-BR1	KTFZ-DGD4805CB8-BR1	KTFZ-DMS2401CA2-SW8
KTFZ-DHS1605HC9	KTFZ-DGQ7202DF3	KTFZ-PMS2403CA1
KTFZ-DHQ4002HC4-DCA	KTFZ-DGF9001DF1	-
KTFZ-DHS1201CC1-JF1	KTFZ-DGS2401CC6	-

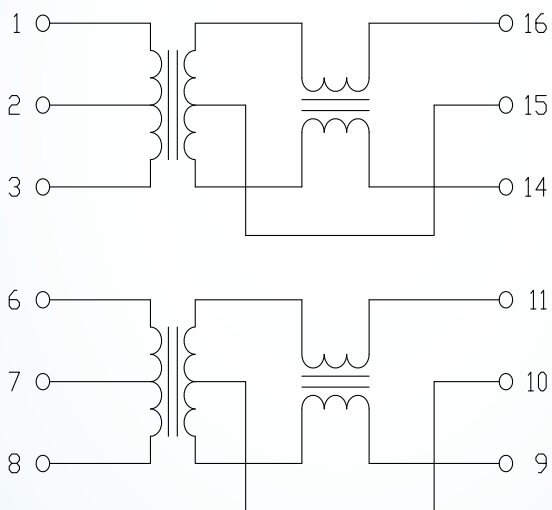
LAN Product Guide

■ Servers

- Both discrete magnetics and connector with integrated magnetics are available.
- Simplify customer board layouts by reducing the components required.
- Support a wide variety of applications- Network and Telecommunication.
- Power-over-Ethernet solutions in PoE and PoE+ configurations.
- Integrated magnetics solutions offered, cover a range of Ethernet speeds and technologies, including; 10/100, 1 Gigabit, and 10 Gigabit.

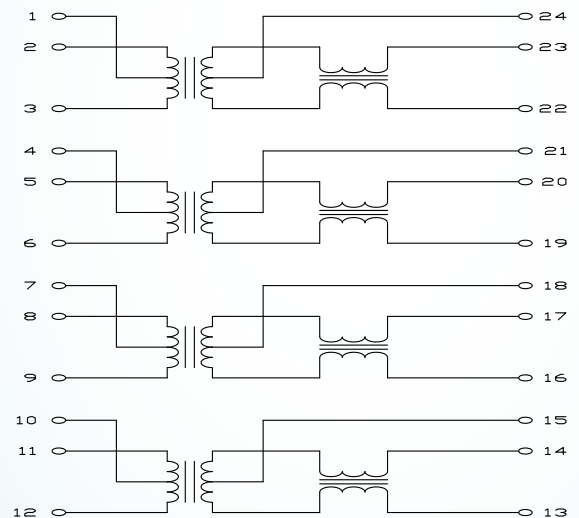
10/100 APPLICATION

10/100



GIGABIT APPLICATION

1G



For More Information of the 10G Discrete Module

Please contact us through sales@kinnexa.com or visit the website www.kinnexa.com