



KRH SERIES



FEATURES AND BENEFITS

- Available 1*1, 1*2, 1*4, 2*1, 2*2 ports
- Built-in LED as Power/Activity indicators
- Optional 10/100 or 1 Gigabit Magnetics
- High performance for maximum EMI suppression
- Appropriate for high-speed Ethernet application
- HI-POT and functionality are 100% electrically tested
- Minimum of 750 insertion cycles

ELECTRICAL AND PERFORMANCE SUMMARY

- Internal magnetics options available.
- Meet or Exceed IEEE 802.3 and IEEE 802.3ab standard
- 350uH minimum OCL with 8 mA bia
- Minimum 1500Vrms isolation per 802.3 requirements.

APPLICATIONS

DESKTOP PC, SERVER, HUB, SWITCH, LCD TV, STB, AMPLIFIER, AV CENTER, POS, PRINTER, PROJECTOR, SECURITY CAMERA

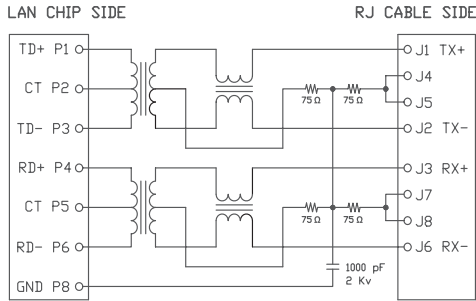
GENERAL SPECIFICATION

Product Type Features		Housing Related Features	
Tab Type	Tab Up	Material	PBT/Nylon/LCP
PCB Mount Angle	Side Entry (Right Angle)	Housing Flammability Rating	UL 94V-0
PCB Mount Style	Through Hole	Color	Option
Number of Port	1 / 2 / 4	Contact Related Features	
Shielded	With / Without	Material	Phos-Bronze
Number of Position	8	Contact Area Plating	Hard Gold
Number of Contact	Option	Solder Area Plating	Tin/Gold Flash
LED	Yes / No	Magnetic Related Features	
Transformer	Yes	Transformer Speed	10 /100/1000
Shielding Related Features		Dimension (mm)	
Material	Copper Alloy / SUS	Length	Option
Plating	Nickel	Width	Option
EMI Finger	With / Without	Height	Option
Number of PCB Ground Tabs	Option		
Ground Pin Position (mm)	Option		

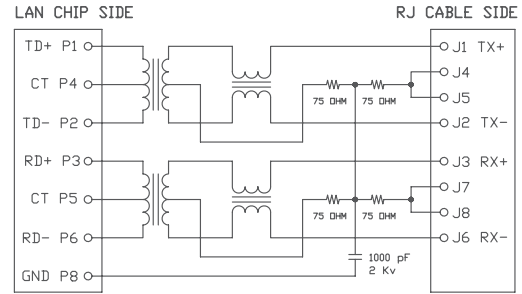


10/100 Mbps TYPICAL SCHEMATIC

D12 Type



D22 Type

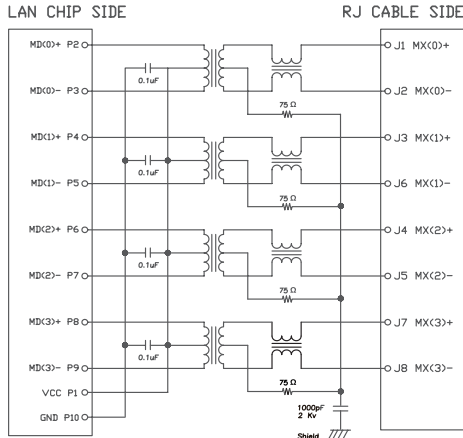


10/100 MHz Electrical Specification@25°C

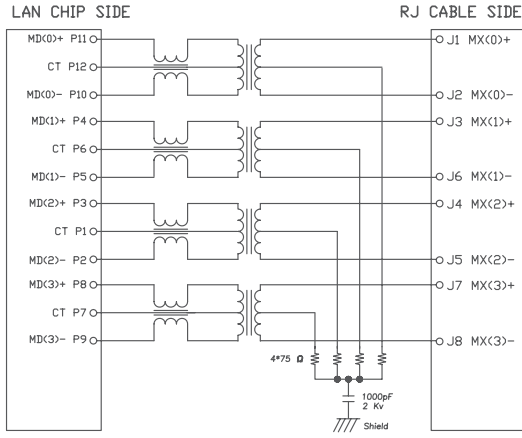
TR	LX	DCR	Hi Pot	Insertion Loss	Return Loss	Cros Talk	Common Mode Rejection
	100KHz, 100mV, 8mA, DC Bias	(Every RJ Pair)	Input to Output	0.3~100 MHz	1~30 MHz 30~60 MHz 60~80MHz	1~100 MHz	1~100MHz
1 : 1±3%	350 uH Min	1.2 ohm Max	1500VAC for 60s	-1.0dB Max	-20dB Min -15dB Min -10dB Min	-30dB Min	-30dB Min
1 : 1±3%	350 uH Min	1.2 ohm Max	1500VAC for 60s	-1.0dB Max	-20dB Min -15dB Min -10dB Min	-30dB Min	-30dB Min
1 : 1±3%	350 uH Min	1.2 ohm Max	1500VAC for 60s	-1.0dB Max	-20dB Min -15dB Min -10dB Min	-30dB Min	-30dB Min

10/100/1000 Mbps TYPICAL SCHEMATIC

H33 Type



H71 Type



1000 MHz Electrical Specification@25°C

TR	LX	DCR	Hi Pot	Return Loss
	100KHz, 100mV, 8mA, DC Bias	(Every RJ Pair)	Input to Output	1~10 MHz 30MHz 60~100MHz
1 : 1±3%	350 uH Min	1.2 ohm Max	1500VAC for 60s	-20dB Min -16dB Min -12dB Min
Common Mode Rejection		Insertion Loss		Cross Talk
300~100MHz		0.3~100MHz 100~125MHz		1~10 MHz 30~60 MHz 60~100 MHz
-30dB Min		-0.8dB Max -1.2dB Max		-40dB Min -35dB Min -30dB Min