



## KRG SERIES



### FEATURES AND BENEFITS

- Available 1\*1, 1\*2 and 1\*4 ports
- Optional LED as Power/Activity indicators
- Optional 10/100 or 1 Gigabit Magnetics
- High performance for maximum EMI suppression
- Appropriate for high-speed Ethernet application
- HI-POT and functionality are 100% electrically tested
- Minimum of 750 insertion cycles

### ELECTRICAL AND PERFORMANCE SUMMARY

- Internal magnetics options available.
- Meet or Exceed IEEE 802.3 and IEEE 802.3ab standard
- 350uH minimum OCL with 8 mA bia
- Minimum 1500Vrms isolation per 802.3 requirements.

### APPLICATIONS

DESKTOP PC, SERVER, HUB, SWITCH, LCD TV, STB, AMPLIFIER, AV CENTER, POS, PRINTER, PROJECTOR, SECURITY CAMERA

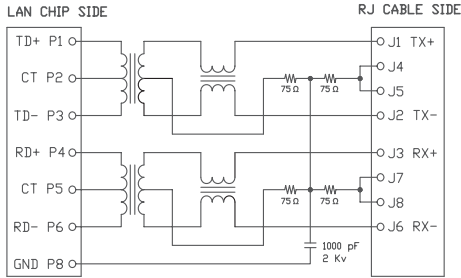
### GENERAL SPECIFICATION

Product Type Features		Housing Related Features	
Tab Type	Tab Down	Material	PBT
PCB Mount Angle	Side Entry (Right Angle)	Housing Flammability Rating	UL 94V-0
PCB Mount Style	Through Hole	Color	Black
Number of Port	1 / 2 / 4	Contact Related Features	
Shielded	With / Without	Material	Phos-Bronze
Number of Position	8	Contact Area Plating	Hard Gold
Number of Contact	8	Solder Area Plating	Tin
LED	Yes	Magnetic Related Features	
Transformer	Yes	Transformer Speed	10 /100/1000
Shielding Related Features		Dimension (mm)	
Material	Copper Alloy	Length	21.60
Plating	Nickel	Width	15.90/31.16/58.60
EMI Finger	With / Without	Height	13.80
Number of PCB Ground Tabs	2		
Ground Pin Position (mm)	After Peg 3.05		

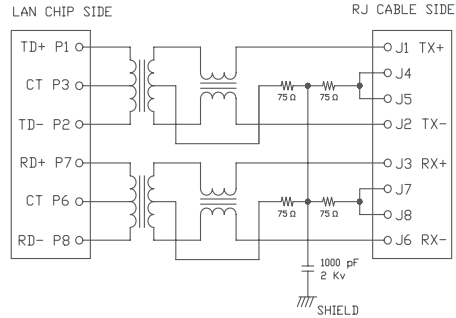


## 10/100 Mbps TYPICAL SCHEMATIC

### D12 Type



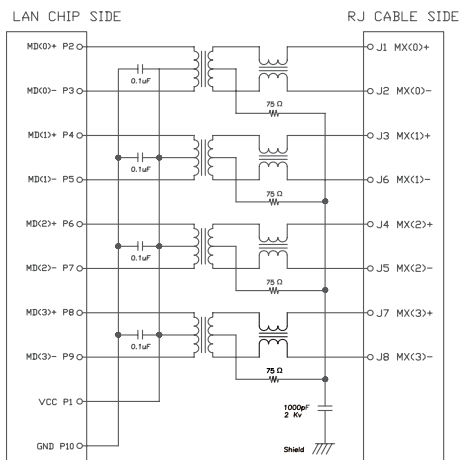
### D31 Type



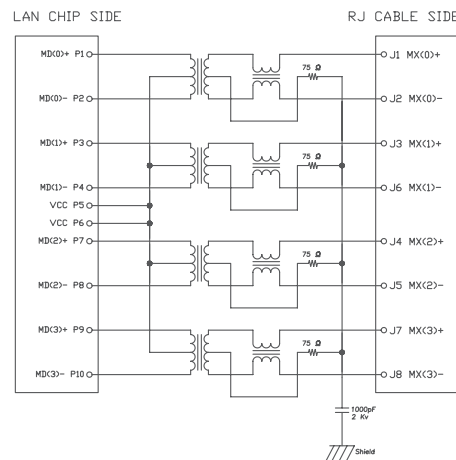
10/100 MHz Electrical Specification@25°C								
Item	TR	LX	DCR	Hi Pot	Insertion Loss	Return Loss	Cros Talk	Common Mode Rejection
Part No		100KHz, 100mV, 8mA, DC Bias	(Every RJ Pair)	Input to Output	0.3~100 MHz	1~30 MHz 30~60 MHz 60~80MHz	1~100 MHz	1~100MHz
KRG-01P-1-D12-170	1 : 1±3%	350 uH Min	1.2 ohm Max	1500VAC for 60s	-1.0dB Max	-20dB Min -15dB Min -10dB Min	-30dB Min	-30dB Min
KRG-02P-1-D31-170	1 : 1±3%	350 uH Min	1.2 ohm Max	1500VAC for 60s	-1.0dB Max	-20dB Min -15dB Min -10dB Min	-30dB Min	-30dB Min
KRG-04P-1-D31-170	1 : 1±3%	350 uH Min	1.2 ohm Max	1500VAC for 60s	-1.0dB Max	-20dB Min -15dB Min -10dB Min	-30dB Min	-30dB Min

## 10/100/1000 Mbps TYPICAL SCHEMATIC

### H33 Type



### H11 Type



1000 MHz Electrical Specification@25°C						
Item	TR	LX	DCR	Hi Pot	Insertion Loss	
Part No		100KHz, 100mV, 8mA, DC Bias	(Every RJ Pair)	Input to Output	0.3~100MHz	100~125MHz
KRG-01P-1-H33-170	1 : 1±3%	350 uH Min	1.2 ohm Max	1500VAC for 60s	-0.8dB Max	-1.2dB Max
	1 : 1±3%	350 uH Min	1.2 ohm Max	1500VAC for 60s	-0.8dB Max	-1.2dB Max
KRG-02P-1-H33-170	<b>Common Mode Rejection</b>	<b>Return Loss</b>		<b>Cros Talk</b>		
	300~100MHz	1~10 MHz	30MHz 60~100MHz	1~10 MHz	30~60 MHz	60~100 MHz
KRG-04P-1-H11-170	-30dB Min	-20dB Min	-16dB Min	-12dB Min	-40dB Min	-35dB Min -30dB Min
	-30dB Min	-20dB Min	-16dB Min	-12dB Min	-40dB Min	-35dB Min -30dB Min