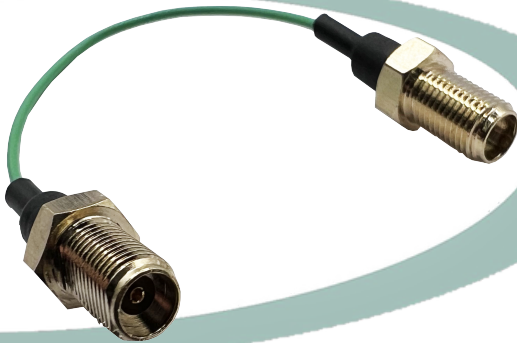


### SMA JACK TO WIRE

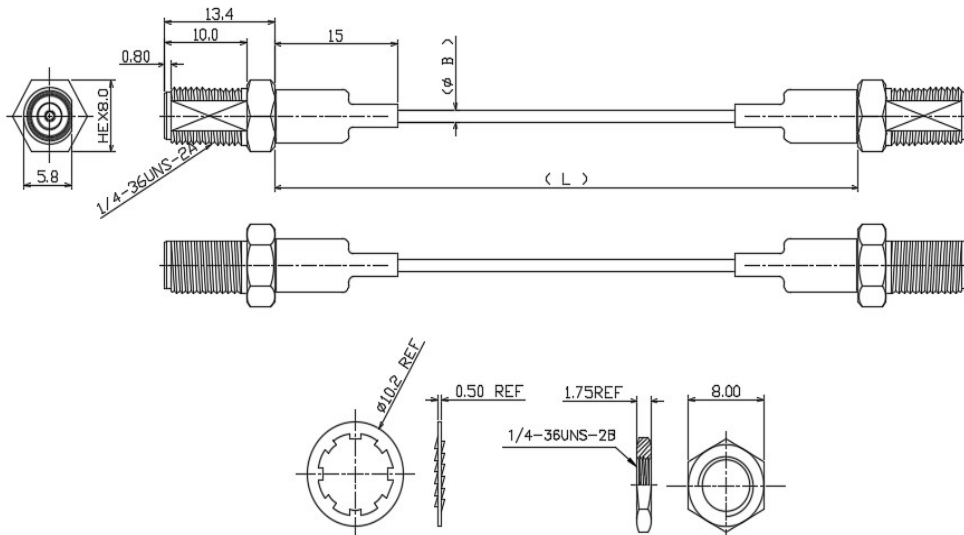


#### FEATURES:

- Frequency : a. DC~6GHz  
b. DC~9GHz  
c. DC~20GHz
- Impedence : 50Ω
- Coaxial Cable OD.  
a. OD. 1.13mm  
b. OD. 1.37mm  
c. OD. RG178 / RG174  
d. Other (By Customer)

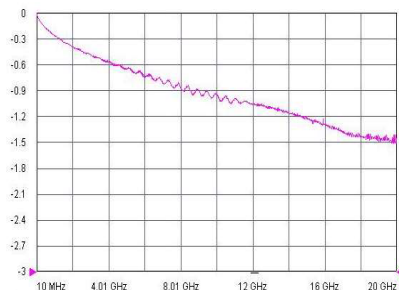
P/N
KMRP-SMAJTW001-H-XXX

#### DRAWING:

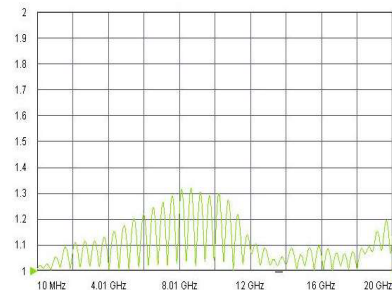


#### PERFORMANCE:

2 SMA Jacks with OD. 1.37 Cable, L=20cm



Insertion Loss



VSWR

