

FEATURES AND BENEFITS

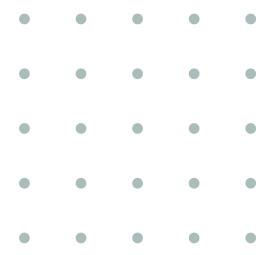
- Available for 10/100, 1 Gigabit, and 10 Gigabit
- Available for 1, 2, and 4 port
- Available PoE function
- Available SMT and Thru-Hole contact
- Meet IEEE 802.3 specification
- Compact footprint design

ORDERING INFORMATION

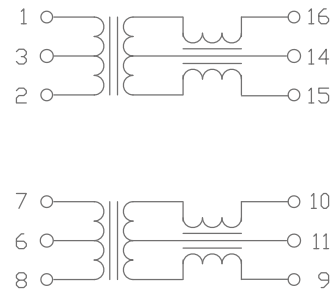
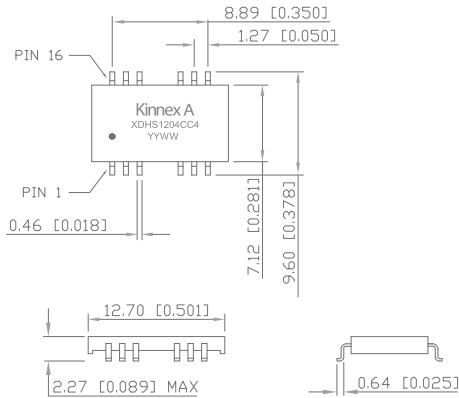
Part No.	Description
KTFZ-DHS1204CC4	10/100 BASE-T MAGNETICS MODULE, 12PIN
KTFZ-DHS1605CCF	10/100 BASE-T MAGNETICS MODULE, 16PIN
KTFZ-DGS2401CC7	10/100/1000 BASE-T MAGNETICS MODULE, 24PIN
KTFZ-DGD4802CB8	10/100/1000 BASE-T MAGNETICS MODULE, 48PIN
KTFZ-DMS2402HA4	10 GIGABIT BASE-T MAGNETICS MODULES DESIGNED TO SUPPORT 10 GIGABIT BASE-T TRANSCEIVERS, 24PIN
KTFZ-DMS3001HB1	10 GIGABIT BASE-T MAGNETICS MODULES DESIGNED TO SUPPORT 10 GIGABIT BASE-T TRANSCEIVERS, 30PIN

This information is believed to be accurate; however, no responsibility is assumed by KinnexA for its use, and its use is made by implication or otherwise in connection therewith. Specifications are subject to change without notice.

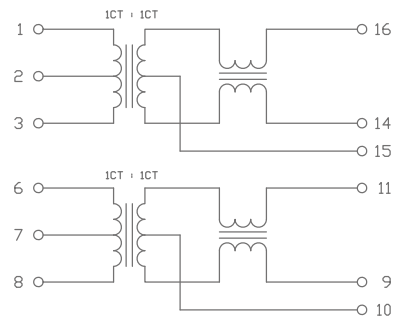
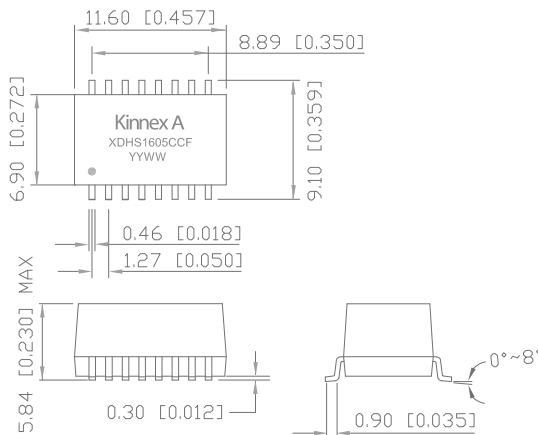




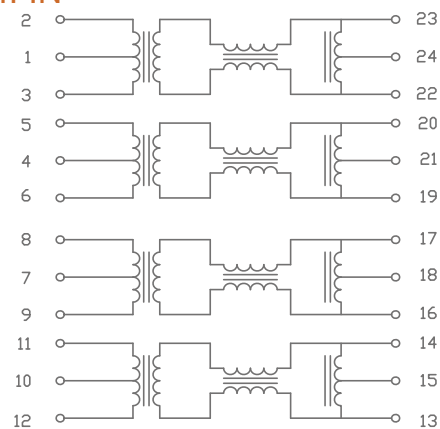
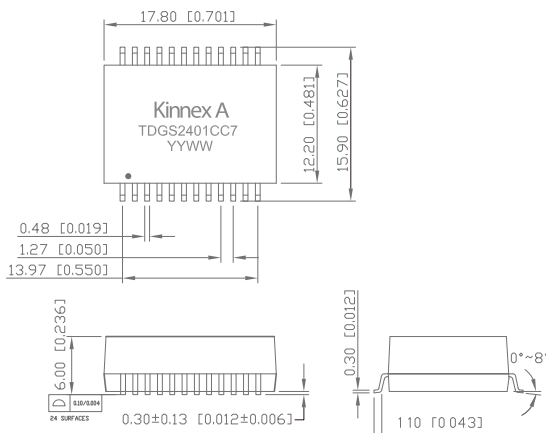
10/100 BASE-T MAGNETICS MODULE, 12PIN



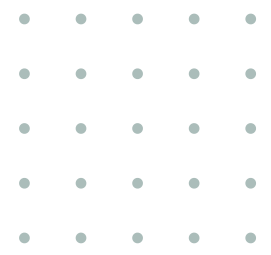
10/100 BASE-T MAGNETICS MODULE, 16PIN



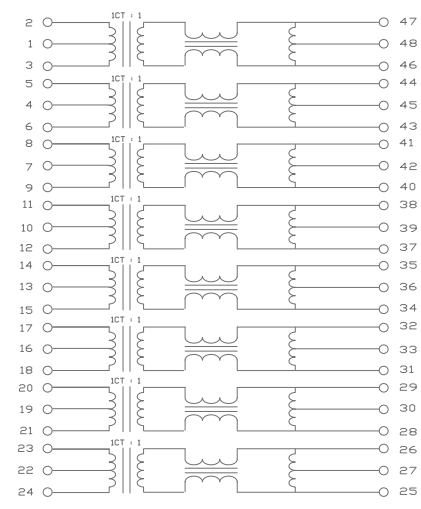
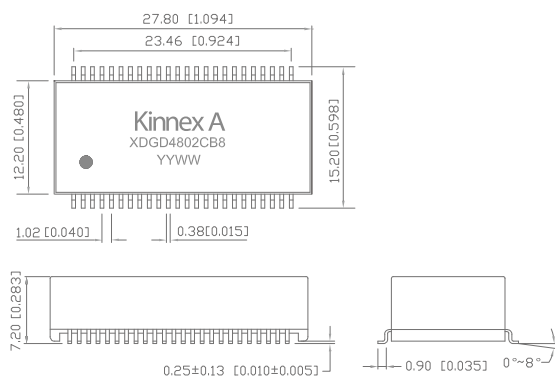
10/100/1000 BASE-T MAGNETICS MODULE, 24PIN



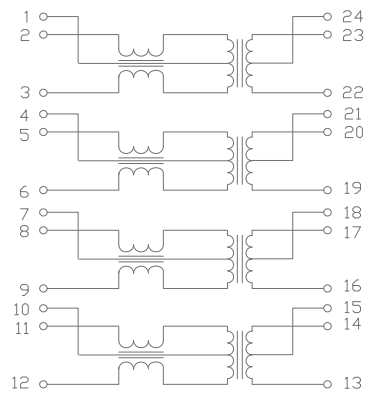
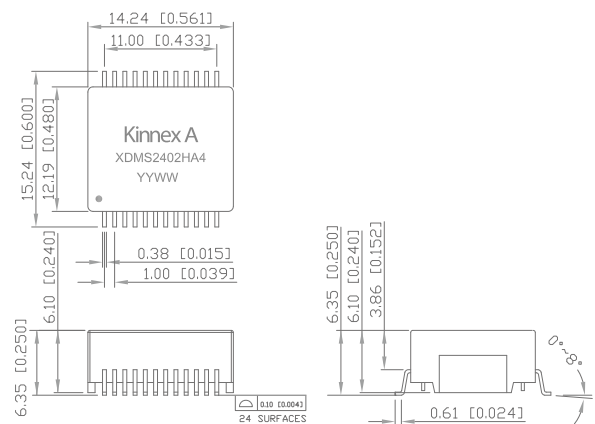
LAN DISCRETE MODULES SERIES



10/100/1000 BASE-T MAGNETICS MODULE, 48PIN



10 GIGABIT BASE-T MAGNETICS MODULES DESIGNED TO SUPPORT 10 GIGABIT BASE-T TRANSCEIVERS, 24PIN



10 GIGABIT BASE-T MAGNETICS MODULES DESIGNED TO SUPPORT 10 GIGABIT BASE-T TRANSCEIVERS, 30PIN

