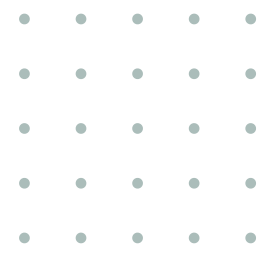
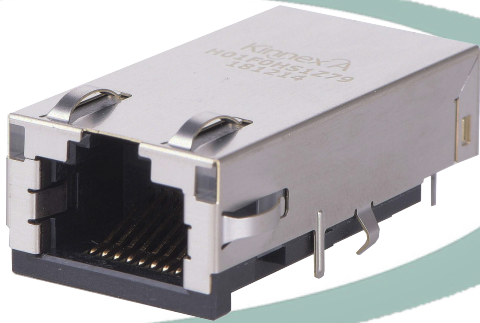


RJ45 01F SERIES

Low Profile, Mid-Plane Mounted RJ45,
Single Port built-in with 1G/10G Transformer



KTH-01F SERIES



PRODUCT FEATURES:

- Low profile package for OCP NIC 3.0
- Compliant with IEEE 802.3 standard
- Qualified with top 1G/10G PHY manufacturers
- RoHS peak temperature per IPC/JEDEC J-STD-020C
- Fine tuned magnetics to specific PHY vendors

ELECTRICAL SPECIFICATIONS:

ELECTRICAL SPECIFICATIONS @ 25±5°C --- OPERATING TEMPERATURE 0°C ~ +70°C

PART NUMBER	INSERTION LOSS	RETURN LOSS	CROSS TALK	CM TO CM MODE REJECTION	ESD
KTH-01F-0-MH1-Z79-XXX (1G)	- 0.8dB MAX. (0.3 ~ 100MHz) - 1.2dB MAX. (100 ~ 125MHz)	- 20dB MIN. (1 ~ 30MHz) - 16dB MIN. (30 ~ 60MHz) - 12dB MIN. (60 ~ 100MHz)	- 40dB MIN. (1 ~ 10MHz) - 35dB MIN. (30 ~ 60MHz) - 30dB MIN. (60 ~ 100MHz)	- 30dB MIN.(300 ~ 100MHz)	CONTACT 6KV
KTH-01F-0-MS1-Z79-XXX (10G)	- 0.6dB MAX. (1 ~ 100MHz) - 1.0dB MAX. (100 ~ 200MHz) - 1.5dB MAX. (200 ~ 300MHz) - 2.0dB MAX. (300 ~ 400MHz)	- 20dB MIN. (1 ~ 100MHz) - 17dB MIN. (100 ~ 200MHz) - 14dB MIN. (200 ~ 300MHz) - 13dB MIN. (300 ~ 400MHz) - 12dB MIN. (400 ~ 500MHz)	- 25dB MIN. (1 ~ 500MHz)	- 22dB MIN.(1 ~ 100MHz) - 21dB MIN.(100 ~ 300MHz) - 20dB MIN.(300 ~ 800MHz)	CONTACT 6KV

DURABILITY TESTING RATING:

RJ45 DURABILITY TESTING RATING

PART NUMBER	MATING FORCE	UMMATING FORCE	DURABILITY	SUGGESTED PEAK WAVE
KTH-01F-0-MH1-Z79-XXX (1G)	4 POUNDS MAX.	4 POUNDS MAX.	750 MATING CYCLED MIN.	SOLDERING CONDITION IS 260°C MAX. / 10 SECONDS MAX.
KTH-01F-0-MS1-Z79-XXX (10G)	4 POUNDS MAX.	4 POUNDS MAX.	750 MATING CYCLED MIN.	SOLDERING CONDITION IS 260°C MAX. / 10 SECONDS MAX.

MATERIAL SPECIFICATION:

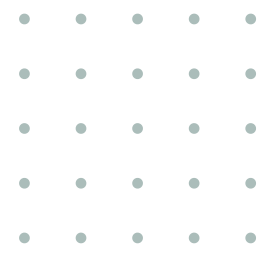
RJ45 MATERIAL SPECIFICATION

PART NUMBER	SHIELD		CONTACT		HOUSING	
	MATERIAL	FINISH	MATERIAL	PLATING	MATERIAL	SPECIFICATION
KTH-01F-0-MH1-Z79-XXX (1G)	COPPER ALLOY	NICKEL PLATING	PHOS-BRONZE	50u" GOLD PLATING ON CONTACT AREANICKEL UNDERPLATING OVERALL	HIGH THERMOPLASTIC	UL 94V-0
KTH-01F-0-MS1-Z79-XXX (10G)	COPPER ALLOY	NICKEL PLATING	PHOS-BRONZE	50u" GOLD PLATING ON CONTACT AREANICKEL UNDERPLATING OVERALL	HIGH THERMOPLASTIC	UL 94V-0



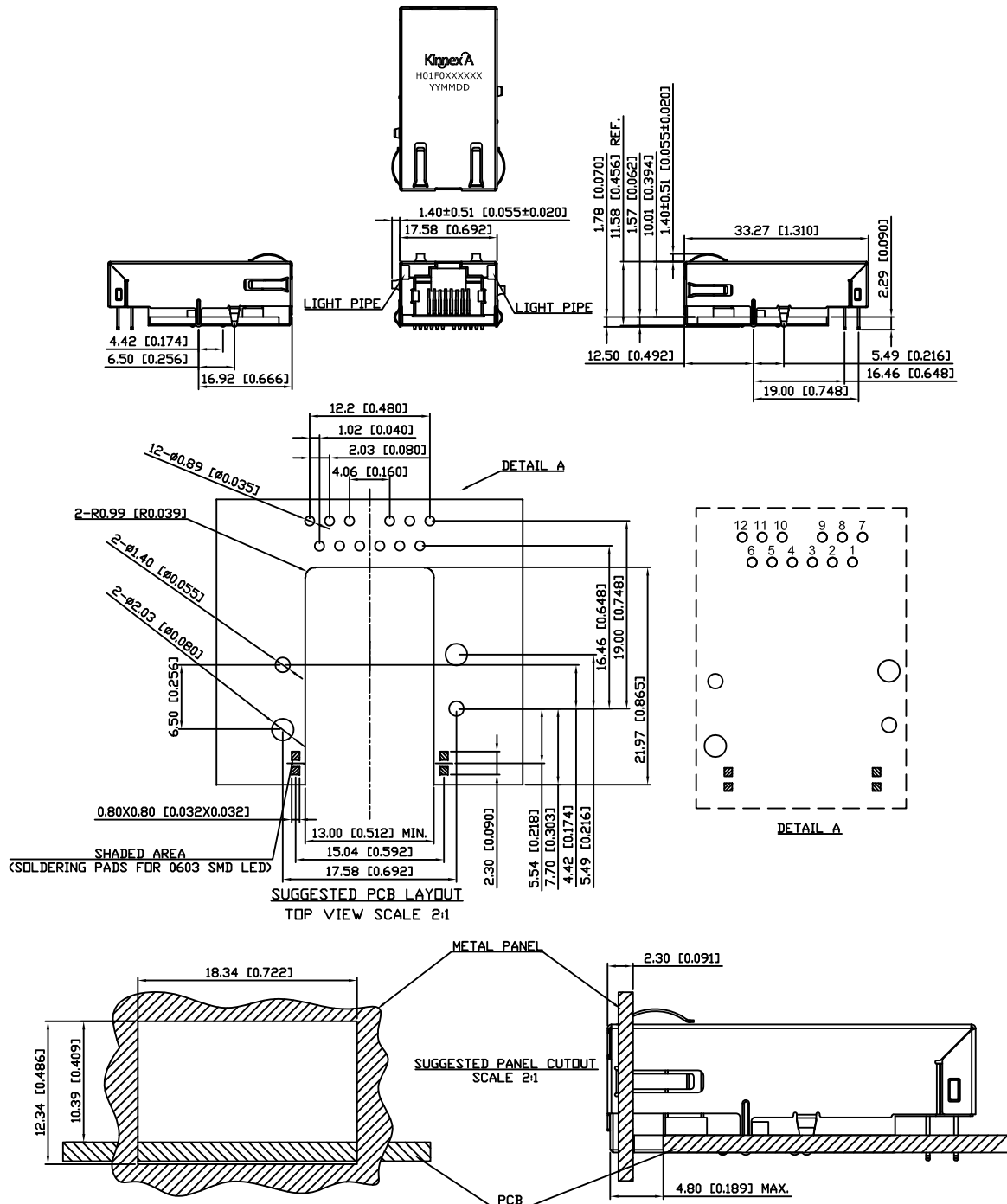
RJ45 01F SERIES

Low Profile, Mid-Plane Mounted RJ45,
Single Port built-in with 1G/10G Transformer



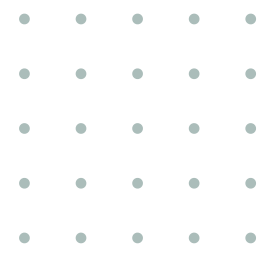
MECHANICAL

KTH-01F-0-MH1-Z79-XXX / KTH-01F-0-MS1-Z79-XXX



RJ45 01F SERIES

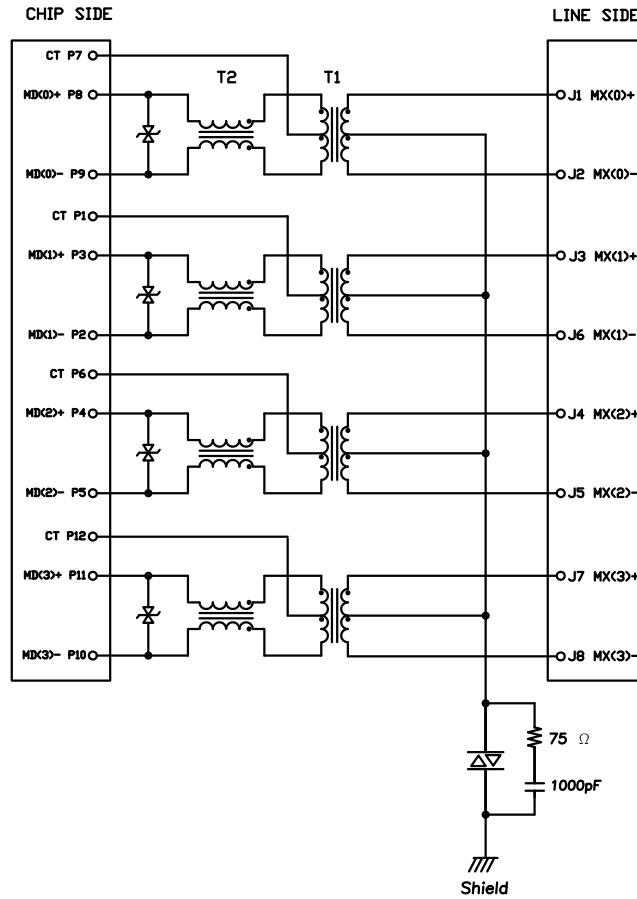
Low Profile, Mid-Plane Mounted RJ45,
Single Port built-in with 1G/10G Transformer



SCHEMATICS

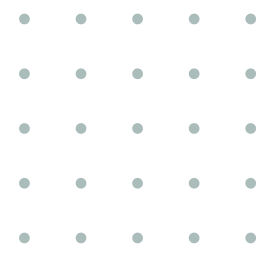
KTH-01F-0-MH1-Z79-XXX / KTH-01F-0-MS1-Z79-XXX

1G & 10G



RJ45 01F SERIES

Low Profile, Mid-Plane Mounted RJ45,
Single Port built-in with 1G/10G Transformer



PACKING

KTH-01F-0-MH1-Z79-XXX / KTH-01F-0-MS1-Z79-XXX

