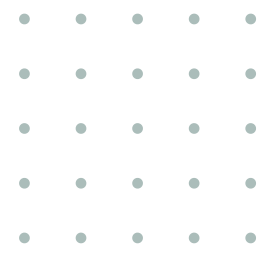
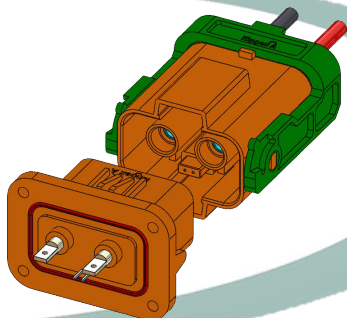


HIGH-VOLTAGE WITH LOCKED SERIES

High-Voltage Interconnection Systems for Hybrid & Electric Vehicles



HV SERIES WITH LOCKED



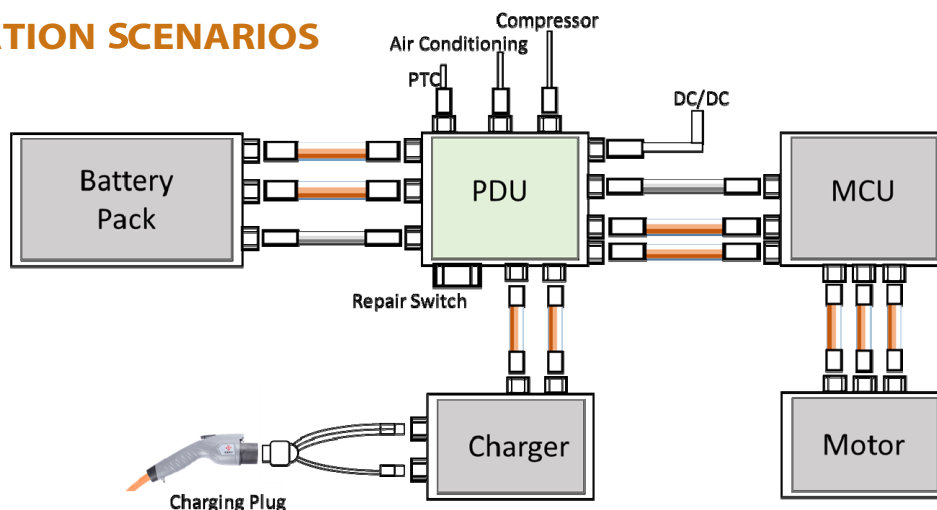
APPLICATION

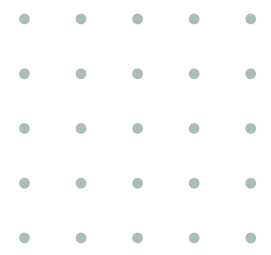
- DC/DC Converter
- HV Heater
- HV Climate Compressor
- Cable Spec. : 6.0mm² / 4.0mm² / 2.5mm²
- On-Board Charger

SPECIFICATION:

Series	HV Series With Locked	
Connector Type	Receptacle	Plug
Dimensions	56.0x100.0x70.0	100.5x92.4x69.2
Poles	2	
Working Voltage	850 VDC	
Temperature Range	-40°C up to 140°C	
Current Carrying Capability	33A at 85°C	
IP Rating, Mated	IP67, IP6K9K	
IP Rating, Unmated	IP2XB	
Vibration Level	4	
Secondary Lock Structure	Yes	

APPLICATION SCENARIOS

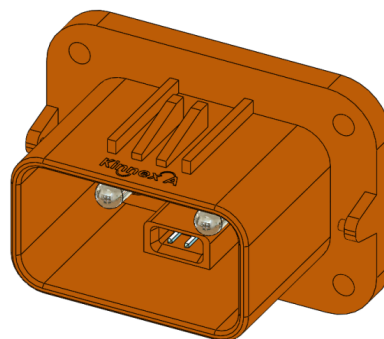
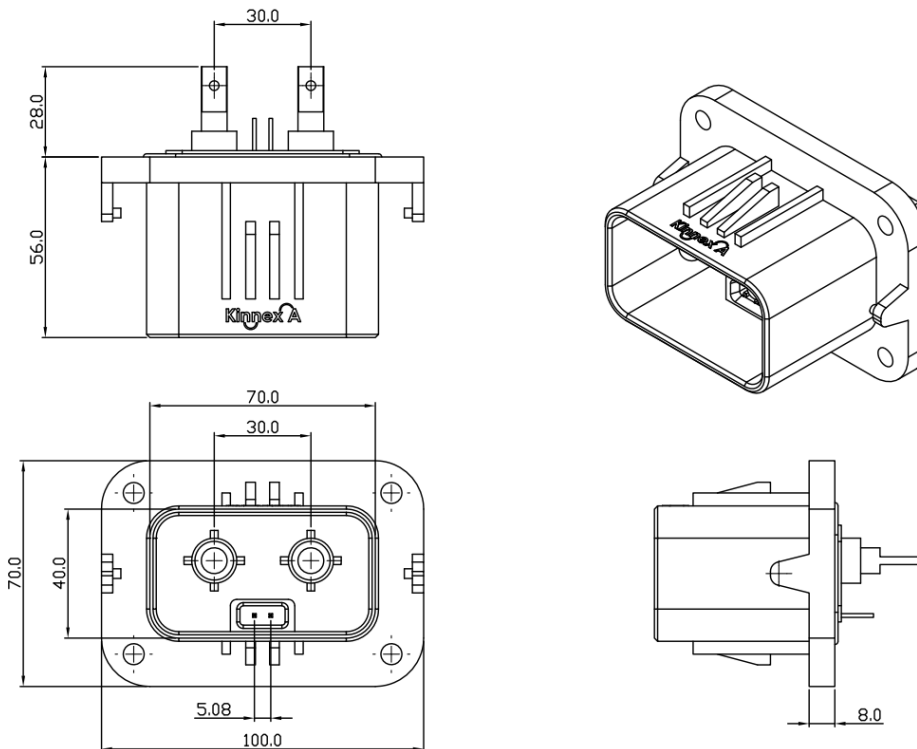


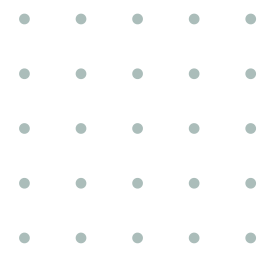


HIGH-VOLTAGE WITH LOCKED SERIES

High-Voltage Interconnection Systems for
Hybrid & Electric Vehicles

CONNECTOR WITH LOCKED RECEPTACLE

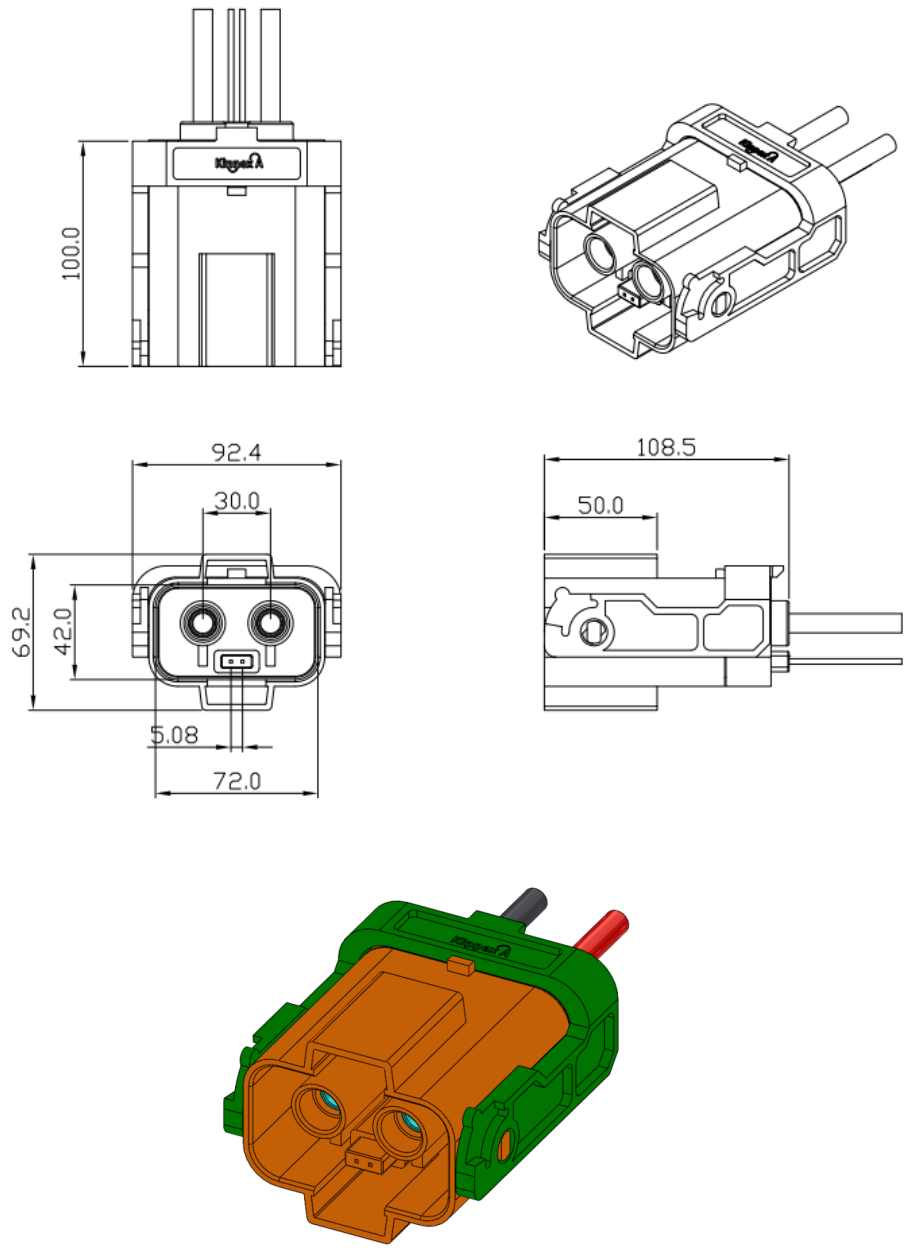




HIGH-VOLTAGE WITH LOCKED SERIES

High-Voltage Interconnection Systems for
Hybrid & Electric Vehicles

CONNECTOR WITH LOCKED PLUG



HIGH-VOLTAGE WITH LOCKED SERIES

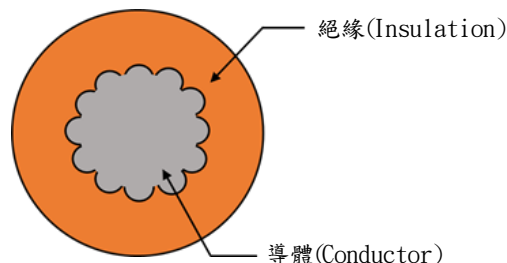
High-Voltage Interconnection Systems for
Hybrid & Electric Vehicles

New Energy Vehicle High Voltage Cable Applications

Use of Equipment	Common Specification	Material
Drive Motor-MCU	35mm ² ,50mm ² ,70mm ² x3	180°C Silicone 150°C XLPE
Air Conditioning-PDU	2.5mm ² ,4mm ² ,6mm ² x2	125°C XLPE
Small Battery-DC/DC	10mm ² ,16mm ² ,25mm ² x2	125°C XLPE
DC/DC-PDU	16mm ² ,25mm ² x2	125°C XLPE
MCU-PDU	35mm ² ,50mm ² ,70mm ² x2	125°C XLPE
Rechargeable Battery	6mm ² ,10mm ²	125°C XLPE
Battery-PDU	50mm ² ,70mm ² x2	125°C XLPE
Battery-BMS	20 AWG	200°C FEP
DC Charger	35mm ² ,50mm ² ,70mm ² x3	125°C XLPE

AC 600V/DC 900V(Unshielded HV Cable)

Specification	Allowable Load Current	Outer Diameter
1.5mm ²	18A	2.3mm
2.5mm ²	25A	2.85mm
4mm ²	35A	3.55mm
6mm ²	45A	4.15mm
10mm ²	70A	5.60mm
16mm ²	95A	6.90mm
25mm ²	130A	8.40mm
35mm ²	160A	9.80mm
50mm ²	210A	11.90mm
70mm ²	260A	14.10mm



非屏蔽電纜截面圖
Unshielded cable cross section diagram